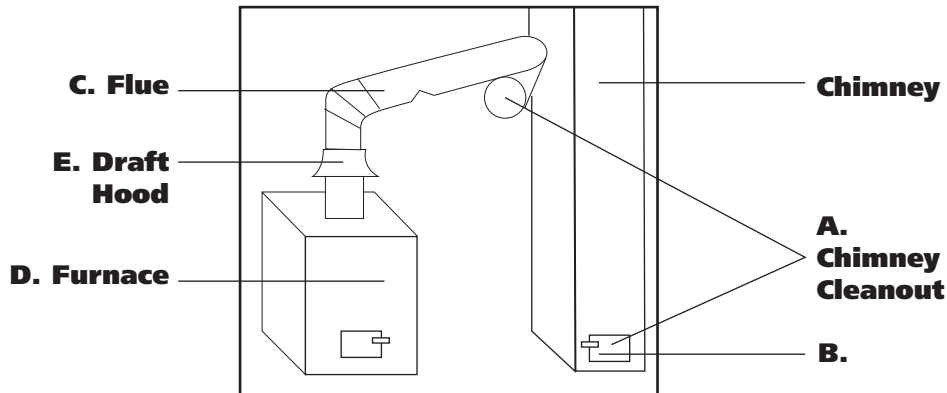


KEEP THE CHIMNEY CLEAN

- A.** Open the chimney clean out and remove any debris that has fallen into the chimney pit. (The chimney cleanout on your furnace could be located at the point where the flue meets the chimney, or it could be located at the base of the chimney.)
- B.** Hold a mirror just inside the chimney cleanout door so you can get a view up the chimney shaft during daylight. If you can't see clear to the sky, call a qualified chimney contractor. The blocked view may be caused by a bend in the chimney and not debris, but it's worth having it checked and cleaned if necessary.
- C.** Make sure the flue pipe on the top of the heater is securely attached.
- D.** Look for black smudges on the furnace or water heater. These smudges are often a sign of exhaust leakage which may contain Carbon Monoxide.
- E.** Find out if the exhaust is going up and out the chimney. Hold a lighted match at the edge of the draft hood. If the flame is blown away from the opening, have the vent system checked by a qualified person.

**CHECK YOUR CHIMNEY FOR BLOCKAGES ANNUALLY.
HAVE IT CLEANED BY A
CHIMNEY CONTRACTOR IF NECESSARY.**



331-10-02

**IMPORTANT DELMARVA POWER
TELEPHONE NUMBER—**

Whenever you suspect a natural gas odor, call:

302 454-0317

or call: 911



A PHI Company

Natural Gas Safety Check List

Keep your chimney and flue clear!

PREVENT CARBON MONOXIDE ACCUMULATION

A blocked chimney or flue on a natural gas furnace could cause carbon monoxide to accumulate in your house. Carbon Monoxide is a harmful poison which often goes undetected. Blockages can be caused by either mortar that has fallen from the chimney's inner walls or other debris that has fallen down the chimney, such as leaves and bricks.

CHECK CONVERTED HEATING SYSTEM CAREFULLY

Debris can accumulate faster in furnaces that have been converted from oil to natural gas. Some of the soot from the oil furnace will remain on the chimney's inner walls, even if you had the chimney cleaned when you converted to gas. Heat from the natural gas will eventually dry out the soot and cause it to crumble and fall in clumps into the chimney pit. A build up of this debris may close off the furnace flue pipe and not allow chimney exhaust to escape up the chimney.



A PHI Company

Natural Gas Safety Check List

Keep your chimney and flue clear!

PREVENT CARBON MONOXIDE ACCUMULATION

A blocked chimney or flue on a natural gas furnace could cause carbon monoxide to accumulate in your house. Carbon Monoxide is a harmful poison which often goes undetected. Blockages can be caused by either mortar that has fallen from the chimney's inner walls or other debris that has fallen down the chimney, such as leaves and bricks.

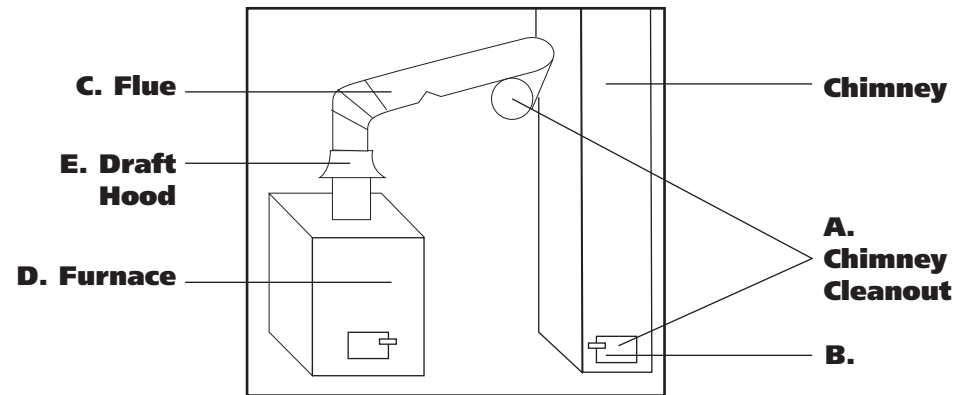
CHECK CONVERTED HEATING SYSTEM CAREFULLY

Debris can accumulate faster in furnaces that have been converted from oil to natural gas. Some of the soot from the oil furnace will remain on the chimney's inner walls, even if you had the chimney cleaned when you converted to gas. Heat from the natural gas will eventually dry out the soot and cause it to crumble and fall in clumps into the chimney pit. A build up of this debris may close off the furnace flue pipe and not allow chimney exhaust to escape up the chimney.

KEEP THE CHIMNEY CLEAN

- A.** Open the chimney clean out and remove any debris that has fallen into the chimney pit. (The chimney cleanout on your furnace could be located at the point where the flue meets the chimney, or it could be located at the base of the chimney.)
- B.** Hold a mirror just inside the chimney cleanout door so you can get a view up the chimney shaft during daylight. If you can't see clear to the sky, call a qualified chimney contractor. The blocked view may be caused by a bend in the chimney and not debris, but it's worth having it checked and cleaned if necessary.
- C.** Make sure the flue pipe on the top of the heater is securely attached.
- D.** Look for black smudges on the furnace or water heater. These smudges are often a sign of exhaust leakage which may contain Carbon Monoxide.
- E.** Find out if the exhaust is going up and out the chimney. Hold a lighted match at the edge of the draft hood. If the flame is blown away from the opening, have the vent system checked by a qualified person.

CHECK YOUR CHIMNEY FOR BLOCKAGES ANNUALLY. HAVE IT CLEANED BY A CHIMNEY CONTRACTOR IF NECESSARY.



331-10-02

IMPORTANT DELMARVA POWER TELEPHONE NUMBER—

Whenever you suspect a natural gas odor, call:

302 454-0317

or call: **911**